

Applications

Water purification, conditioning and distribution in commercial/ industrial markets with reverse osmosis systems. Reverse osmosis systems are found in several drinking water applications including restaurants, food and beverage equipment, and grocery store vegetable misting.

Features

- Composite body valve
- 2-way, normally closed and normally open
- FasN™ connection system available in: Turn & Lock • NPT thread • Solvent bond
- Tested and certified by NSF International
- UL and CSA recognized coils
- Mountable in any position, upright preferred
- Manual override available on all normally closed constructions

Construction

Valve Parts in Contact with Fluids	
Body	Composite, Engineered Plastic (PPE)
Core Tube / Bonnet	Stainless Steel
Core and Plugnut	Stainless Steel
Springs	Stainless Steel
Seals and Disc	EPDM, TPE
Shading Coil	Copper

Electrical

Connection Type	Standard Coil and Class of Insulation	Watt Rating and Power consumption				Spare coil Family	
		DC Watts	AC Watts	VA Holding	VA Inrush	DC	AC
Normally Closed							
Conduit	F	6.9	6.3	8.8	12.1	400117	400117
Leaded	F	6.9	6.3	8.8	12.1	400117	400117
DIN	F	6.9	6.3	8.8	12.1	400127	400127
Normally Open							
Conduit	F	10	11	15.5	19.4	400119	433763
Leaded	F	10	11	15.5	19.4	400119	433763
DIN	F	10	11	15.5	19.4	400129	433765

Standard Voltages: AC: 24/60, 120/60, 240/60. DC: 12 and 24.
Must be specified when ordering, see *How to Order Chart*.

Solenoid Enclosures

Conduit Hub

Open Frame (Leaded) 18" lead

DIN (11 mm Form B) – Watertight IP 65 when used with DIN connector kit for SC coils (see kits below).

Kits

Female DIN connector kit for coils 226061-001-*

1/2" NPT conduit hub kit for leaded coils 224735-001-*

(Kits contains 10 pcs of each: connector, gasket, and attaching screw.)

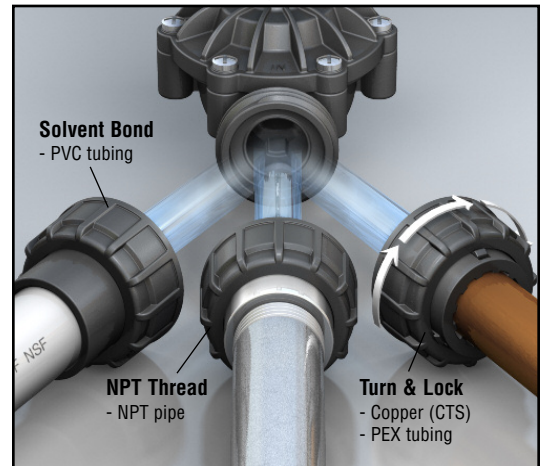
Mounting bracket kit = 297395-004

Kits for end connection

End Connection Type	Kit Numbers			
	3/8"	1/2"	3/4"	1"
NPT Thread Connector kit	M200453A00	M200454A00	M200455A00	M200456A00
Solvent Bond Connector kit	M200338A00	M200100A00	M200103A00	M200341A00
Turn & Lock Connector kit	M200340A00	M200101A00	M200104A00	M200343A00



FasN Connection System (See Ordering Page)



Nominal Ambient Temp. Ranges

Normally Closed AC & DC, Normally Open DC:
32°F to 120°F (0°C to 49°C)

Normally Open AC: 32°F to 100°F (0°C to 38°C)

Approvals

UL recognized coil – File E153691*

CSA certified coil – see CSA file No. 113111*

Meets applicable CE directives.

Tested and certified by NSF International:

- NSF 61-G: Drinking Water System Components (includes Lead Free requirements)
- NSF 169: Special Purpose Food Equipment and Devices
- NSF 42 : Drinking Water Treatment Units – Material and Structural Integrity Requirements
- NSF 372: Drinking Water System Components – Lead Content Certification

The NSF Certification Program is accredited by the Standards Council of Canada and ANSI.

*For UL & CSA approvals on NO AC coils, please consult ASCO.

Specifications (English units)

Pipe Size (in)	Orifice Size (in)	FasN End Connections System	Cv Flow Factor	Operating Pressure Differential (psi)							Max. Fluid Temp. °F ①	Catalog Number	Wattage	
				Min	Max. AC			Max. DC					AC	DC
					Air-Inert Gas	Water	Light Oil @ 300 SSU	Air-Inert Gas	Water	Light Oil @ 300 SSU				
DRINKING WATER VERSION: NSF 61-G, 169, 42														
General Service - Normally Closed ②														
3/8	5/8	NPT thread / NPT thread	3	5	-	150	-	-	150	-	180	8212A001	6.3	6.9
3/8	5/8	NPT thread / Solvent Bond	3	5	-	150	-	-	150	-	73*	8212A003	6.3	6.9
3/8	5/8	NPT thread / Turn & Lock	3	5	-	150	-	-	150	-	180	8212A005	6.3	6.9
3/8	5/8	Turn & Lock / Turn & Lock	3	5	-	150	-	-	150	-	180	K212A007	6.3	6.9
3/8	5/8	Turn & Lock / Solvent bond	3	5	-	150	-	-	150	-	73*	K212A009	6.3	6.9
3/8	5/8	Solvent bond / Solvent bond	3	5	-	150	-	-	150	-	73*	W212A011	6.3	6.9
1/2	3/4	NPT thread / NPT thread	4.5	5	-	150	-	-	150	-	180	8212A019	6.3	6.9
1/2	3/4	NPT thread / Solvent Bond	4.5	5	-	150	-	-	150	-	73*	8212A021	6.3	6.9
1/2	3/4	NPT thread / Turn & Lock	4.5	5	-	150	-	-	150	-	180	8212A023	6.3	6.9
1/2	3/4	Turn & Lock / Turn & Lock	4.5	5	-	150	-	-	150	-	180	K212A025	6.3	6.9
1/2	3/4	Turn & Lock / Solvent bond	4.5	5	-	150	-	-	150	-	73*	K212A027	6.3	6.9
1/2	3/4	Solvent bond / Solvent bond	4.5	5	-	150	-	-	150	-	73*	W212A029	6.3	6.9
3/4	3/4	NPT thread / NPT thread	7	5	-	150	-	-	150	-	180	8212A037	6.3	6.9
3/4	3/4	NPT thread / Solvent Bond	7	5	-	150	-	-	150	-	73*	8212A039	6.3	6.9
3/4	3/4	NPT thread / Turn & Lock	7	5	-	150	-	-	150	-	180	8212A041	6.3	6.9
3/4	3/4	Turn & Lock / Turn & Lock	7	5	-	150	-	-	150	-	180	K212A043	6.3	6.9
3/4	3/4	Turn & Lock / Solvent bond	7	5	-	150	-	-	150	-	73*	K212A045	6.3	6.9
3/4	3/4	Solvent bond / Solvent bond	7	5	-	150	-	-	150	-	73*	W212A047	6.3	6.9
1	1	NPT thread / NPT thread	13	5	-	150	-	-	150	-	122	8212A055	6.3	6.9
1	1	NPT thread / Solvent Bond	13	5	-	150	-	-	150	-	73*	8212A057	6.3	6.9
1	1	NPT thread / Turn & Lock	13	5	-	150	-	-	150	-	122	8212A059	6.3	6.9
1	1	Turn & Lock / Turn & Lock	13	5	-	150	-	-	150	-	122	K212A061	6.3	6.9
1	1	Turn & Lock / Solvent bond	13	5	-	150	-	-	150	-	73*	K212A063	6.3	6.9
1	1	Solvent bond / Solvent bond	13	5	-	150	-	-	150	-	73*	W212A065	6.3	6.9
General Service - Normally Open														
3/8	5/8	NPT thread / NPT thread	3	5	-	120	-	-	90	-	180	8212A002	11	10
3/8	5/8	NPT thread / Solvent Bond	3	5	-	120	-	-	90	-	73*	8212A004	11	10
3/8	5/8	NPT thread / Turn & Lock	3	5	-	120	-	-	90	-	180	8212A006	11	10
3/8	5/8	Turn & Lock / Turn & Lock	3	5	-	120	-	-	90	-	180	K212A008	11	10
3/8	5/8	Turn & Lock / Solvent bond	3	5	-	120	-	-	90	-	73*	K212A010	11	10
3/8	5/8	Solvent bond / Solvent bond	3	5	-	120	-	-	90	-	73*	W212A012	11	10
1/2	3/4	NPT thread / NPT thread	4.5	5	-	120	-	-	90	-	180	8212A020	11	10
1/2	3/4	NPT thread / Solvent Bond	4.5	5	-	120	-	-	90	-	73*	8212A022	11	10
1/2	3/4	NPT thread / Turn & Lock	4.5	5	-	120	-	-	90	-	180	8212A024	11	10
1/2	3/4	Turn & Lock / Turn & Lock	4.5	5	-	120	-	-	90	-	180	K212A026	11	10
1/2	3/4	Turn & Lock / Solvent bond	4.5	5	-	120	-	-	90	-	73*	K212A028	11	10
1/2	3/4	Solvent bond / Solvent bond	4.5	5	-	120	-	-	90	-	73*	W212A030	11	10
3/4	3/4	NPT thread / NPT thread	7	5	-	120	-	-	90	-	180	8212A038	11	10
3/4	3/4	NPT thread / Solvent Bond	7	5	-	120	-	-	90	-	73*	8212A040	11	10
3/4	3/4	NPT thread / Turn & Lock	7	5	-	120	-	-	90	-	180	8212A042	11	10
3/4	3/4	Turn & Lock / Turn & Lock	7	5	-	120	-	-	90	-	180	K212A044	11	10
3/4	3/4	Turn & Lock / Solvent bond	7	5	-	120	-	-	90	-	73*	K212A046	11	10
3/4	3/4	Solvent bond / Solvent bond	7	5	-	120	-	-	90	-	73*	W212A048	11	10
1	1	NPT thread / NPT thread	13	5	-	120	-	-	90	-	122	8212A056	11	10
1	1	NPT thread / Solvent Bond	13	5	-	120	-	-	90	-	73*	8212A058	11	10
1	1	NPT thread / Turn & Lock	13	5	-	120	-	-	90	-	122	8212A060	11	10
1	1	Turn & Lock / Turn & Lock	13	5	-	120	-	-	90	-	122	K212A062	11	10
1	1	Turn & Lock / Solvent bond	13	5	-	120	-	-	90	-	73*	K212A064	11	10
1	1	Solvent bond / Solvent bond	13	5	-	120	-	-	90	-	73*	W212A066	11	10

① Prevent from freezing. ② Manual Override is available for all Normally Closed constructions. See "How to Order" section for ordering details.

*Limitation on fluid temperature for PVC tubing for NSF 61-G is 73°F and for NSF 372 is 122°F

Specifications (English units)

Pipe Size (in)	Orifice Size (in)	FasN End Connections System	Cv Flow Factor	Operating Pressure Differential (psi)							Max. Fluid Temp. °F ^①	Catalog Number	Wattage	
				Max. AC			Max. DC						AC	DC
				Min	Air-Inert Gas	Water	Air-Inert Gas	Water	Light Oil @ 300 SSU	Light Oil @ 300 SSU				
LEAD FREE VERSION - NSF 372 Lead content certification														
General Service - Normally Closed^②														
3/8	5/8	NPT thread / NPT thread	3	5	-	150	-	-	150	-	180	8212A501	6.3	6.9
3/8	5/8	NPT thread / Solvent Bond	3	5	-	150	-	-	150	-	122*	8212A503	6.3	6.9
3/8	5/8	NPT thread / Turn & Lock	3	5	-	150	-	-	150	-	180	8212A505	6.3	6.9
3/8	5/8	Turn & Lock / Turn & Lock	3	5	-	150	-	-	150	-	180	K212A507	6.3	6.9
3/8	5/8	Turn & Lock / Solvent bond	3	5	-	150	-	-	150	-	122*	K212A509	6.3	6.9
3/8	5/8	Solvent bond / Solvent bond	3	5	-	150	-	-	150	-	122*	W212A511	6.3	6.9
1/2	3/4	NPT thread / NPT thread	4.5	5	-	150	-	-	150	-	180	8212A519	6.3	6.9
1/2	3/4	NPT thread / Solvent Bond	4.5	5	-	150	-	-	150	-	122*	8212A521	6.3	6.9
1/2	3/4	NPT thread / Turn & Lock	4.5	5	-	150	-	-	150	-	180	8212A523	6.3	6.9
1/2	3/4	Turn & Lock / Turn & Lock	4.5	5	-	150	-	-	150	-	180	K212A525	6.3	6.9
1/2	3/4	Turn & Lock / Solvent bond	4.5	5	-	150	-	-	150	-	122*	K212A527	6.3	6.9
1/2	3/4	Solvent bond / Solvent bond	4.5	5	-	150	-	-	150	-	122*	W212A529	6.3	6.9
3/4	3/4	NPT thread / NPT thread	7	5	-	150	-	-	150	-	180	8212A537	6.3	6.9
3/4	3/4	NPT thread / Solvent Bond	7	5	-	150	-	-	150	-	122*	8212A539	6.3	6.9
3/4	3/4	NPT thread / Turn & Lock	7	5	-	150	-	-	150	-	180	8212A541	6.3	6.9
3/4	3/4	Turn & Lock / Turn & Lock	7	5	-	150	-	-	150	-	180	K212A543	6.3	6.9
3/4	3/4	Turn & Lock / Solvent bond	7	5	-	150	-	-	150	-	122*	K212A545	6.3	6.9
3/4	3/4	Solvent bond / Solvent bond	7	5	-	150	-	-	150	-	122*	W212A547	6.3	6.9
1	1	NPT thread / NPT thread	13	5	-	150	-	-	150	-	122	8212A555	6.3	6.9
1	1	NPT thread / Solvent Bond	13	5	-	150	-	-	150	-	122*	8212A557	6.3	6.9
1	1	NPT thread / Turn & Lock	13	5	-	150	-	-	150	-	122	8212A559	6.3	6.9
1	1	Turn & Lock / Turn & Lock	13	5	-	150	-	-	150	-	122	K212A561	6.3	6.9
1	1	Turn & Lock / Solvent bond	13	5	-	150	-	-	150	-	122*	K212A563	6.3	6.9
1	1	Solvent bond / Solvent bond	13	5	-	150	-	-	150	-	122*	W212A565	6.3	6.9
General Service - Normally Open														
3/8	5/8	NPT thread / NPT thread	3	5	-	120	-	-	90	-	180	8212A502	11	10
3/8	5/8	NPT thread / Solvent Bond	3	5	-	120	-	-	90	-	122*	8212A504	11	10
3/8	5/8	NPT thread / Turn & Lock	3	5	-	120	-	-	90	-	180	8212A506	11	10
3/8	5/8	Turn & Lock / Turn & Lock	3	5	-	120	-	-	90	-	180	K212A508	11	10
3/8	5/8	Turn & Lock / Solvent bond	3	5	-	120	-	-	90	-	122*	K212A510	11	10
3/8	5/8	Solvent bond / Solvent bond	3	5	-	120	-	-	90	-	122*	W212A512	11	10
1/2	3/4	NPT thread / NPT thread	4.5	5	-	120	-	-	90	-	180	8212A520	11	10
1/2	3/4	NPT thread / Solvent Bond	4.5	5	-	120	-	-	90	-	122*	8212A522	11	10
1/2	3/4	NPT thread / Turn & Lock	4.5	5	-	120	-	-	90	-	180	8212A524	11	10
1/2	3/4	Turn & Lock / Turn & Lock	4.5	5	-	120	-	-	90	-	180	K212A526	11	10
1/2	3/4	Turn & Lock / Solvent bond	4.5	5	-	120	-	-	90	-	122*	K212A528	11	10
1/2	3/4	Solvent bond / Solvent bond	4.5	5	-	120	-	-	90	-	122*	W212A530	11	10
3/4	3/4	NPT thread / NPT thread	7	5	-	120	-	-	90	-	180	8212A538	11	10
3/4	3/4	NPT thread / Solvent Bond	7	5	-	120	-	-	90	-	122*	8212A540	11	10
3/4	3/4	NPT thread / Turn & Lock	7	5	-	120	-	-	90	-	180	8212A542	11	10
3/4	3/4	Turn & Lock / Turn & Lock	7	5	-	120	-	-	90	-	180	K212A544	11	10
3/4	3/4	Turn & Lock / Solvent bond	7	5	-	120	-	-	90	-	122*	K212A546	11	10
3/4	3/4	Solvent bond / Solvent bond	7	5	-	120	-	-	90	-	122*	W212A548	11	10
1	1	NPT thread / NPT thread	13	5	-	120	-	-	90	-	122	8212A556	11	10
1	1	NPT thread / Solvent Bond	13	5	-	120	-	-	90	-	122*	8212A558	11	10
1	1	NPT thread / Turn & Lock	13	5	-	120	-	-	90	-	122	8212A560	11	10
1	1	Turn & Lock / Turn & Lock	13	5	-	120	-	-	90	-	122	K212A562	11	10
1	1	Turn & Lock / Solvent bond	13	5	-	120	-	-	90	-	122*	K212A564	11	10
1	1	Solvent bond / Solvent bond	13	5	-	120	-	-	90	-	122*	W212A566	11	10

① Prevent from freezing. ② Manual Override is available for all Normally Closed constructions. See "How to Order" section for ordering details.

*Limitation on fluid temperature for PVC tubing for NSF 61-G is 73°F and for NSF 372 is 122°F

Specifications (Metric units)

Pipe Size (in)	Orifice Size (mm)	FasN End Connections System	Kv Flow Factor (m ³ /hr)	Operating Pressure Differential (bar)							Max. Fluid Temp. °C ①	Catalog Number	Wattage	
				Min	Max. AC			Max. DC					AC	DC
					Air-Inert Gas	Water	Light Oil @ 300 SSU	Air-Inert Gas	Water	Light Oil @ 300 SSU				
DRINKING WATER VERSION: NSF 61-G, 169, 42														
General Service - Normally Closed ②														
3/8	15.9	NPT thread / NPT thread	2.6	0.3	-	10.3	-	-	10.3	-	82	8212A001	6.3	6.9
3/8	15.9	NPT thread / Solvent Bond	2.6	0.3	-	10.3	-	-	10.3	-	22.7*	8212A003	6.3	6.9
3/8	15.9	NPT thread / Turn & Lock	2.6	0.3	-	10.3	-	-	10.3	-	82	8212A005	6.3	6.9
3/8	15.9	Turn & Lock / Turn & Lock	2.6	0.3	-	10.3	-	-	10.3	-	82	K212A007	6.3	6.9
3/8	15.9	Turn & Lock / Solvent bond	2.6	0.3	-	10.3	-	-	10.3	-	22.7*	K212A009	6.3	6.9
3/8	15.9	Solvent bond / Solvent bond	2.6	0.3	-	10.3	-	-	10.3	-	22.7*	W212A011	6.3	6.9
1/2	19	NPT thread / NPT thread	3.9	0.3	-	10.3	-	-	10.3	-	82	8212A019	6.3	6.9
1/2	19	NPT thread / Solvent Bond	3.9	0.3	-	10.3	-	-	10.3	-	22.7*	8212A021	6.3	6.9
1/2	19	NPT thread / Turn & Lock	3.9	0.3	-	10.3	-	-	10.3	-	82	8212A023	6.3	6.9
1/2	19	Turn & Lock / Turn & Lock	3.9	0.3	-	10.3	-	-	10.3	-	82	K212A025	6.3	6.9
1/2	19	Turn & Lock / Solvent bond	3.9	0.3	-	10.3	-	-	10.3	-	22.7*	K212A027	6.3	6.9
1/2	19	Solvent bond / Solvent bond	3.9	0.3	-	10.3	-	-	10.3	-	22.7*	W212A029	6.3	6.9
3/4	19	NPT thread / NPT thread	6.1	0.3	-	10.3	-	-	10.3	-	82	8212A037	6.3	6.9
3/4	19	NPT thread / Solvent Bond	6.1	0.3	-	10.3	-	-	10.3	-	22.7*	8212A039	6.3	6.9
3/4	19	NPT thread / Turn & Lock	6.1	0.3	-	10.3	-	-	10.3	-	82	8212A041	6.3	6.9
3/4	19	Turn & Lock / Turn & Lock	6.1	0.3	-	10.3	-	-	10.3	-	82	K212A043	6.3	6.9
3/4	19	Turn & Lock / Solvent bond	6.1	0.3	-	10.3	-	-	10.3	-	22.7*	K212A045	6.3	6.9
3/4	19	Solvent bond / Solvent bond	6.1	0.3	-	10.3	-	-	10.3	-	22.7*	W212A047	6.3	6.9
1	25.4	NPT thread / NPT thread	11.2	0.3	-	10.3	-	-	10.3	-	50	8212A055	6.3	6.9
1	25.4	NPT thread / Solvent Bond	11.2	0.3	-	10.3	-	-	10.3	-	22.7*	8212A057	6.3	6.9
1	25.4	NPT thread / Turn & Lock	11.2	0.3	-	10.3	-	-	10.3	-	50	8212A059	6.3	6.9
1	25.4	Turn & Lock / Turn & Lock	11.2	0.3	-	10.3	-	-	10.3	-	50	K212A061	6.3	6.9
1	25.4	Turn & Lock / Solvent bond	11.2	0.3	-	10.3	-	-	10.3	-	22.7*	K212A063	6.3	6.9
1	25.4	Solvent bond / Solvent bond	11.2	0.3	-	10.3	-	-	10.3	-	22.7*	W212A065	6.3	6.9
General Service - Normally Open														
3/8	15.9	NPT thread / NPT thread	2.6	0.3	-	8.3	-	-	6.2	-	82	8212A002	11	10
3/8	15.9	NPT thread / Solvent Bond	2.6	0.3	-	8.3	-	-	6.2	-	22.7*	8212A004	11	10
3/8	15.9	NPT thread / Turn & Lock	2.6	0.3	-	8.3	-	-	6.2	-	82	8212A006	11	10
3/8	15.9	Turn & Lock / Turn & Lock	2.6	0.3	-	8.3	-	-	6.2	-	82	K212A008	11	10
3/8	15.9	Turn & Lock / Solvent bond	2.6	0.3	-	8.3	-	-	6.2	-	22.7*	K212A010	11	10
3/8	15.9	Solvent bond / Solvent bond	2.6	0.3	-	8.3	-	-	6.2	-	22.7*	W212A012	11	10
1/2	19	NPT thread / NPT thread	3.9	0.3	-	8.3	-	-	6.2	-	82	8212A020	11	10
1/2	19	NPT thread / Solvent Bond	3.9	0.3	-	8.3	-	-	6.2	-	22.7*	8212A022	11	10
1/2	19	NPT thread / Turn & Lock	3.9	0.3	-	8.3	-	-	6.2	-	82	8212A024	11	10
1/2	19	Turn & Lock / Turn & Lock	3.9	0.3	-	8.3	-	-	6.2	-	82	K212A026	11	10
1/2	19	Turn & Lock / Solvent bond	3.9	0.3	-	8.3	-	-	6.2	-	22.7*	K212A028	11	10
1/2	19	Solvent bond / Solvent bond	3.9	0.3	-	8.3	-	-	6.2	-	22.7*	W212A030	11	10
3/4	19	NPT thread / NPT thread	6.1	0.3	-	8.3	-	-	6.2	-	82	8212A038	11	10
3/4	19	NPT thread / Solvent Bond	6.1	0.3	-	8.3	-	-	6.2	-	22.7*	8212A040	11	10
3/4	19	NPT thread / Turn & Lock	6.1	0.3	-	8.3	-	-	6.2	-	82	8212A042	11	10
3/4	19	Turn & Lock / Turn & Lock	6.1	0.3	-	8.3	-	-	6.2	-	82	K212A044	11	10
3/4	19	Turn & Lock / Solvent bond	6.1	0.3	-	8.3	-	-	6.2	-	22.7*	K212A046	11	10
3/4	19	Solvent bond / Solvent bond	6.1	0.3	-	8.3	-	-	6.2	-	22.7*	W212A048	11	10
1	25.4	NPT thread / NPT thread	11.2	0.3	-	8.3	-	-	6.2	-	50	8212A056	11	10
1	25.4	NPT thread / Solvent Bond	11.2	0.3	-	8.3	-	-	6.2	-	22.7*	8212A058	11	10
1	25.4	NPT thread / Turn & Lock	11.2	0.3	-	8.3	-	-	6.2	-	50	8212A060	11	10
1	25.4	Turn & Lock / Turn & Lock	11.2	0.3	-	8.3	-	-	6.2	-	50	K212A062	11	10
1	25.4	Turn & Lock / Solvent bond	11.2	0.3	-	8.3	-	-	6.2	-	22.7*	K212A064	11	10
1	25.4	Solvent bond / Solvent bond	11.2	0.3	-	8.3	-	-	6.2	-	22.7*	W212A066	11	10

① Prevent from freezing. ② Manual Override is available for all Normally Closed constructions. See "How to Order" section for ordering details.

*Limitation on fluid temperature for PVC tubing for NSF 61-G is 22.7°C and for NSF 372 is 50°C

Specifications (Metric units)

Pipe Size (in)	Orifice Size (mm)	FasN End Connections System	Kv Flow Factor (m ³ /hr)	Operating Pressure Differential (bar)								Max. Fluid Temp. °C ①	Catalog Number	Wattage	
				Min	Max. AC			Max. DC			AC			DC	
					Air-Inert Gas	Water	Light Oil @ 300 SSU	Air-Inert Gas	Water	Light Oil @ 300 SSU					
LEAD FREE VERSION - NSF 372 Lead content certification															
General Service - Normally Closed ②															
3/8	15.9	NPT thread / NPT thread	2.6	0.3	-	10.3	-	-	10.3	-	82	8212A501	6.3	6.9	
3/8	15.9	NPT thread / Solvent Bond	2.6	0.3	-	10.3	-	-	10.3	-	50*	8212A503	6.3	6.9	
3/8	15.9	NPT thread / Turn & Lock	2.6	0.3	-	10.3	-	-	10.3	-	82	8212A505	6.3	6.9	
3/8	15.9	Turn & Lock / Turn & Lock	2.6	0.3	-	10.3	-	-	10.3	-	82	K212A507	6.3	6.9	
3/8	15.9	Turn & Lock / Solvent bond	2.6	0.3	-	10.3	-	-	10.3	-	50*	K212A509	6.3	6.9	
3/8	15.9	Solvent bond / Solvent bond	2.6	0.3	-	10.3	-	-	10.3	-	50*	W212A511	6.3	6.9	
1/2	19	NPT thread / NPT thread	3.9	0.3	-	10.3	-	-	10.3	-	82	8212A519	6.3	6.9	
1/2	19	NPT thread / Solvent Bond	3.9	0.3	-	10.3	-	-	10.3	-	50*	8212A521	6.3	6.9	
1/2	19	NPT thread / Turn & Lock	3.9	0.3	-	10.3	-	-	10.3	-	82	8212A523	6.3	6.9	
1/2	19	Turn & Lock / Turn & Lock	3.9	0.3	-	10.3	-	-	10.3	-	82	K212A525	6.3	6.9	
1/2	19	Turn & Lock / Solvent bond	3.9	0.3	-	10.3	-	-	10.3	-	50*	K212A527	6.3	6.9	
1/2	19	Solvent bond / Solvent bond	3.9	0.3	-	10.3	-	-	10.3	-	50*	W212A529	6.3	6.9	
3/4	19	NPT thread / NPT thread	6.1	0.3	-	10.3	-	-	10.3	-	82	8212A537	6.3	6.9	
3/4	19	NPT thread / Solvent Bond	6.1	0.3	-	10.3	-	-	10.3	-	50*	8212A539	6.3	6.9	
3/4	19	NPT thread / Turn & Lock	6.1	0.3	-	10.3	-	-	10.3	-	82	8212A541	6.3	6.9	
3/4	19	Turn & Lock / Turn & Lock	6.1	0.3	-	10.3	-	-	10.3	-	82	K212A543	6.3	6.9	
3/4	19	Turn & Lock / Solvent bond	6.1	0.3	-	10.3	-	-	10.3	-	50*	K212A545	6.3	6.9	
3/4	19	Solvent bond / Solvent bond	6.1	0.3	-	10.3	-	-	10.3	-	50*	W212A547	6.3	6.9	
1	25.4	NPT thread / NPT thread	11.2	0.3	-	10.3	-	-	10.3	-	50	8212A555	6.3	6.9	
1	25.4	NPT thread / Solvent Bond	11.2	0.3	-	10.3	-	-	10.3	-	50*	8212A557	6.3	6.9	
1	25.4	NPT thread / Turn & Lock	11.2	0.3	-	10.3	-	-	10.3	-	50	8212A559	6.3	6.9	
1	25.4	Turn & Lock / Turn & Lock	11.2	0.3	-	10.3	-	-	10.3	-	50	K212A561	6.3	6.9	
1	25.4	Turn & Lock / Solvent bond	11.2	0.3	-	10.3	-	-	10.3	-	50*	K212A563	6.3	6.9	
1	25.4	Solvent bond / Solvent bond	11.2	0.3	-	10.3	-	-	10.3	-	50*	W212A565	6.3	6.9	
General Service - Normally Open															
3/8	15.9	NPT thread / NPT thread	2.6	0.3	-	8.3	-	-	6.2	-	82	8212A502	11	10	
3/8	15.9	NPT thread / Solvent Bond	2.6	0.3	-	8.3	-	-	6.2	-	50*	8212A504	11	10	
3/8	15.9	NPT thread / Turn & Lock	2.6	0.3	-	8.3	-	-	6.2	-	82	8212A506	11	10	
3/8	15.9	Turn & Lock / Turn & Lock	2.6	0.3	-	8.3	-	-	6.2	-	82	K212A508	11	10	
3/8	15.9	Turn & Lock / Solvent bond	2.6	0.3	-	8.3	-	-	6.2	-	50*	K212A510	11	10	
3/8	15.9	Solvent bond / Solvent bond	2.6	0.3	-	8.3	-	-	6.2	-	50*	W212A512	11	10	
1/2	19	NPT thread / NPT thread	3.9	0.3	-	8.3	-	-	6.2	-	82	8212A520	11	10	
1/2	19	NPT thread / Solvent Bond	3.9	0.3	-	8.3	-	-	6.2	-	50*	8212A522	11	10	
1/2	19	NPT thread / Turn & Lock	3.9	0.3	-	8.3	-	-	6.2	-	82	8212A524	11	10	
1/2	19	Turn & Lock / Turn & Lock	3.9	0.3	-	8.3	-	-	6.2	-	82	K212A526	11	10	
1/2	19	Turn & Lock / Solvent bond	3.9	0.3	-	8.3	-	-	6.2	-	50*	K212A528	11	10	
1/2	19	Solvent bond / Solvent bond	3.9	0.3	-	8.3	-	-	6.2	-	50*	W212A530	11	10	
3/4	19	NPT thread / NPT thread	6.1	0.3	-	8.3	-	-	6.2	-	82	8212A538	11	10	
3/4	19	NPT thread / Solvent Bond	6.1	0.3	-	8.3	-	-	6.2	-	50*	8212A540	11	10	
3/4	19	NPT thread / Turn & Lock	6.1	0.3	-	8.3	-	-	6.2	-	82	8212A542	11	10	
3/4	19	Turn & Lock / Turn & Lock	6.1	0.3	-	8.3	-	-	6.2	-	82	K212A544	11	10	
3/4	19	Turn & Lock / Solvent bond	6.1	0.3	-	8.3	-	-	6.2	-	50*	K212A546	11	10	
3/4	19	Solvent bond / Solvent bond	6.1	0.3	-	8.3	-	-	6.2	-	50*	W212A548	11	10	
1	25.4	NPT thread / NPT thread	11.2	0.3	-	8.3	-	-	6.2	-	50	8212A556	11	10	
1	25.4	NPT thread / Solvent Bond	11.2	0.3	-	8.3	-	-	6.2	-	50*	8212A558	11	10	
1	25.4	NPT thread / Turn & Lock	11.2	0.3	-	8.3	-	-	6.2	-	50	8212A560	11	10	
1	25.4	Turn & Lock / Turn & Lock	11.2	0.3	-	8.3	-	-	6.2	-	50	K212A562	11	10	
1	25.4	Turn & Lock / Solvent bond	11.2	0.3	-	8.3	-	-	6.2	-	50*	K212A564	11	10	
1	25.4	Solvent bond / Solvent bond	11.2	0.3	-	8.3	-	-	6.2	-	50*	W212A566	11	10	

① Prevent from freezing. ② Manual Override is available for all Normally Closed constructions. See "How to Order" section for ordering details.

*Limitation on fluid temperature for PVC tubing for NSF 61-G is 22.7°C and for NSF 372 is 50°C

How to Order

8 2 1 2 A 0 1 9 S 0 1 0 0 F 0

FasN End Connection

8	NPT
K	Turn & Lock
W	Solvent Bond

Valve Designation
Refer to the Specifications Section

Coil Electrical Connection

S0	DIN Type coil without connector
L0	Leaded coil
L1	Leaded coil with 1/2" NPT threaded conduit adaptor

Pressure Vessel Options

100	No options
101	Manual Override (stainless steel)
200	Mounting Bracket (stainless steel)
201	Manual Override with Mounting Bracket

Voltages

AC, for normally closed

F4	24V, 60 Hz
F0	120V, 60 Hz; 110V, 50 Hz
F6	240V, 60 Hz; 220V 50 Hz

AC, for normally open

F4	24V, 60 Hz
F2	120V, 60 Hz
FF	240V, 60 Hz

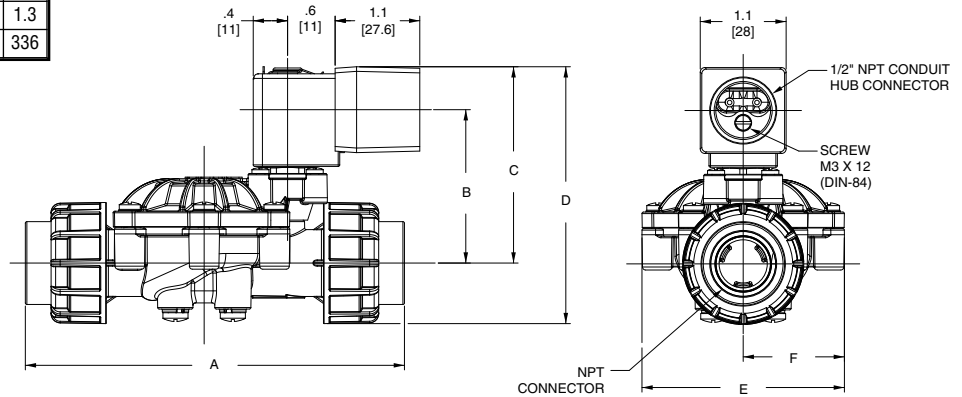
DC, for both normally open and normally closed

F3	12V
F1	24V

Dimensions: inches (mm)

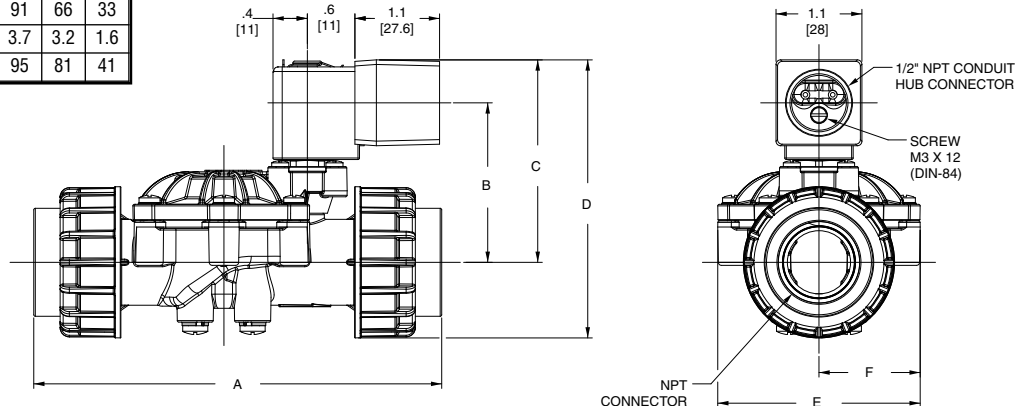
Pipe Size		A	B	C	D	E	F
3/8"	in	4.6	1.9	2.4	3	2.3	1.2
	mm	117	47	61	75	59	30
1/2"	in	4.9	2	2.5	3.3	2.6	1.3
	mm	124	50	64	84	66	336

3/8" & 1/2" NPT CONNECTOR
WITH CONDUIT HUB CONNECTOR



Pipe Size		A	B	C	D	E	F
3/4"	in	5.2	2	2.6	3.6	2.6	1.3
	mm	133	50	66	91	66	33
1"	in	6.5	2.3	2.8	3.7	3.2	1.6
	mm	164	59	71	95	81	41

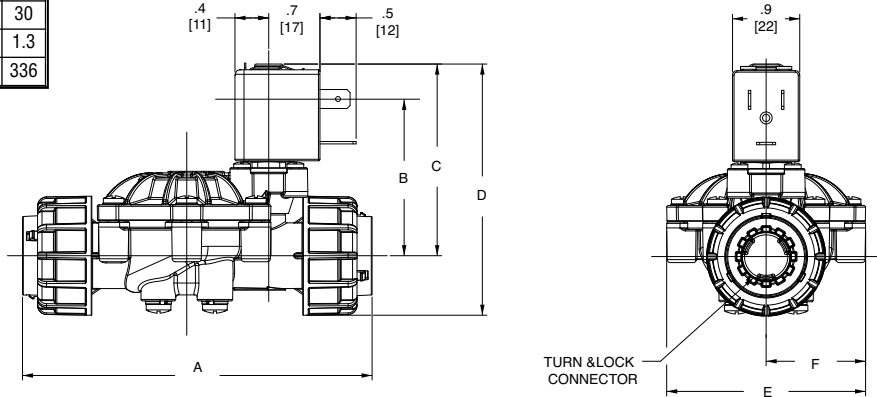
3/4" & 1" NPT CONNECTOR
WITH CONDUIT HUB CONNECTOR



Dimensions: inches (mm)

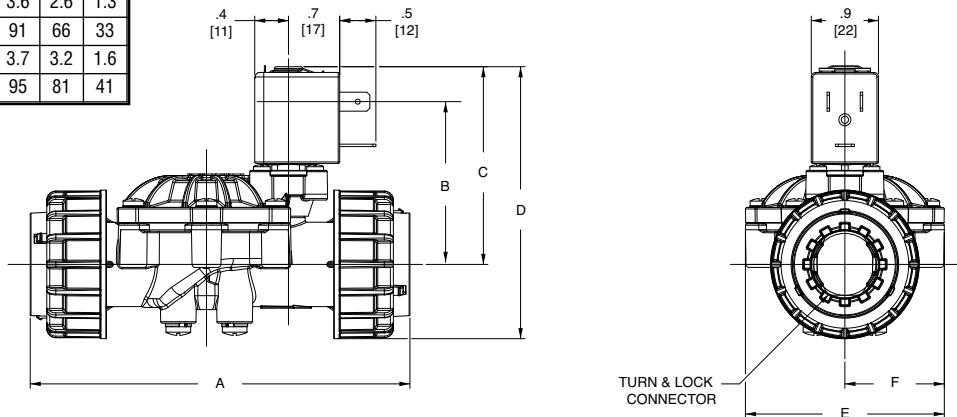
Pipe Size		A	B	C	D	E	F
3/8"	in	4.3	1.9	2.4	3	2.3	1.2
	mm	110	47	61	75	59	30
1/2"	in	4.6	2	2.5	3.3	2.6	1.3
	mm	117	50	64	84	66	33

3/8" & 1/2" TURN & LOCK CONNECTION WITH DIN CONNECTION



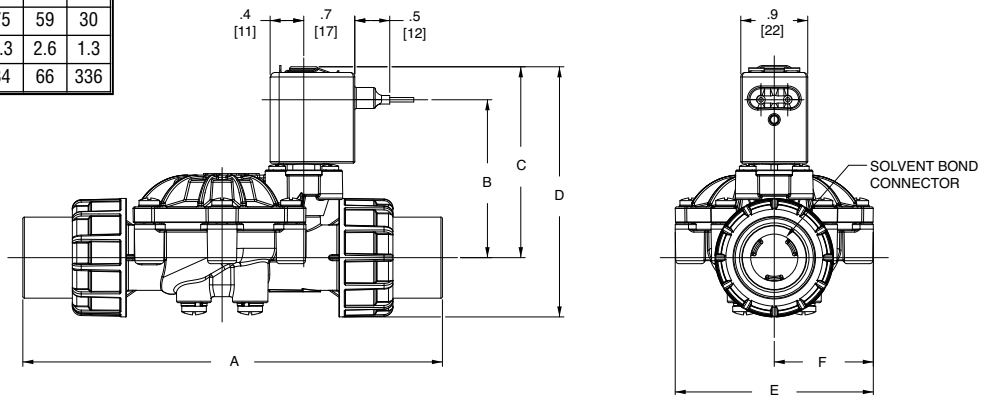
Pipe Size		A	B	C	D	E	F
3/4"	in	4.8	2	2.6	3.6	2.6	1.3
	mm	121	50	66	91	66	33
1"	in	6.1	2.3	2.8	3.7	3.2	1.6
	mm	154	59	71	95	81	41

3/4" & 1" TURN & LOCK CONNECTION WITH DIN CONNECTION



Pipe Size		A	B	C	D	E	F
3/8"	in	5	1.9	2.4	3	2.3	1.2
	mm	127	47	61	75	59	30
1/2"	in	5.5	2	2.5	3.3	2.6	1.3
	mm	140	50	64	84	66	33

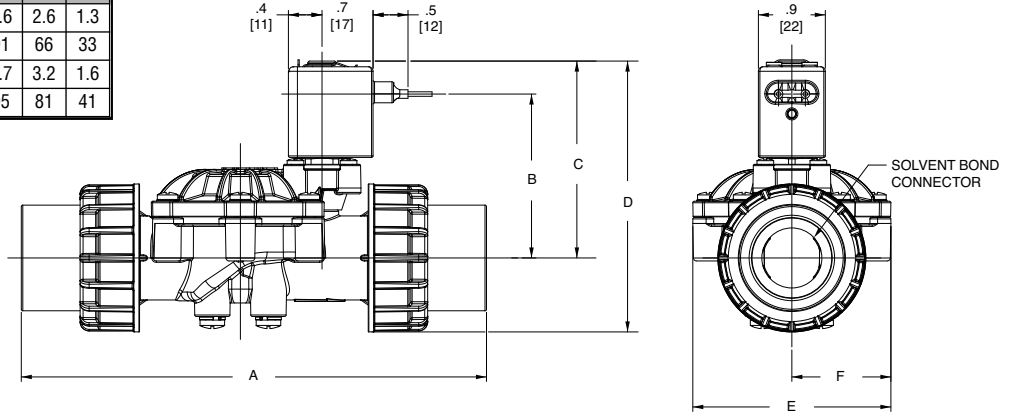
3/8" & 1/2" SOLVENT BOND CONNECTION WITH LEAD WIRE CONNECTION



Dimensions: inches (mm)

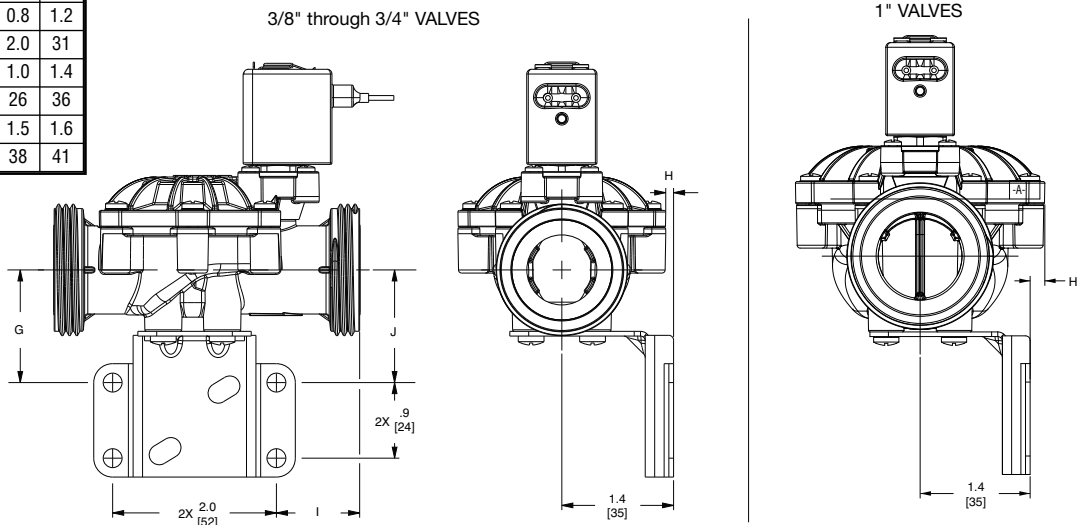
Pipe Size		A	B	C	D	E	F
3/4"	in	6.1	2	2.6	3.6	2.6	1.3
	mm	155	50	66	91	66	33
1"	in	7.3	2.3	2.8	3.7	3.2	1.6
	mm	186	59	71	95	81	41

3/4" & 1" SOLVENT BOND CONNECTION
WITH LEAD WIRE CONNECTION



Pipe Size		G	H	I	J
3/8"	in	1.2	0.3	0.8	1.2
	mm	31	7	2.0	31
1/2"	in	1.2	0.1	0.8	1.2
	mm	31	3	2.0	31
3/4"	in	1.4	0.1	1.0	1.4
	mm	36	3	26	36
1"	in	1.6	0.2	1.5	1.6
	mm	41	5	38	41

SHOWN WITH OPTIONAL MOUNTING BRACKET
FOR VALVES WITH ANY END CONNECTOR



SHOWN WITH OPTIONAL MANUAL OVERRIDE
FOR VALVES WITH ANY END CONNECTOR

Pipe Size		A	B	C	D
3/8"	in	2.5	1.1	2.9	3.4
	mm	62	29	74	87
1/2"	in	2.6	1.3	3.0	3.7
	mm	65	32	76	93
3/4"	in	2.6	1.3	3.1	3.9
	mm	67	34	78	99
1"	in	2.8	1.5	3.3	4.2
	mm	72	39	83	108

