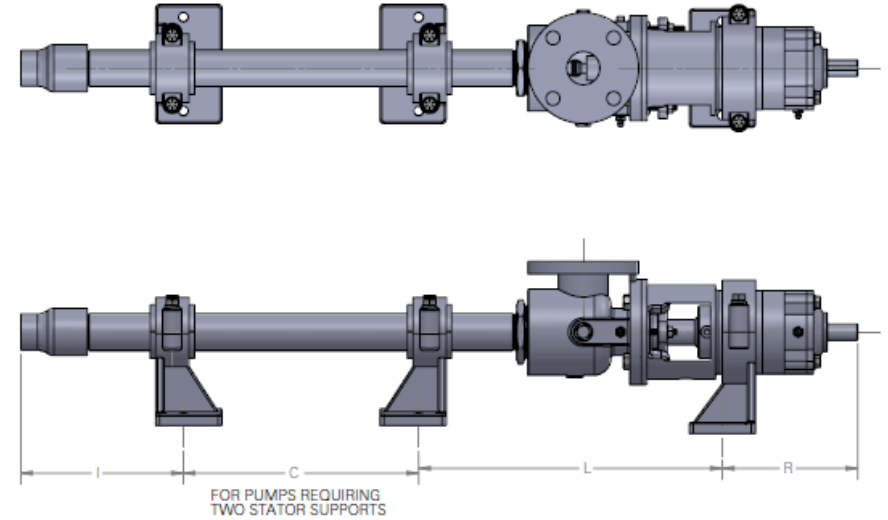
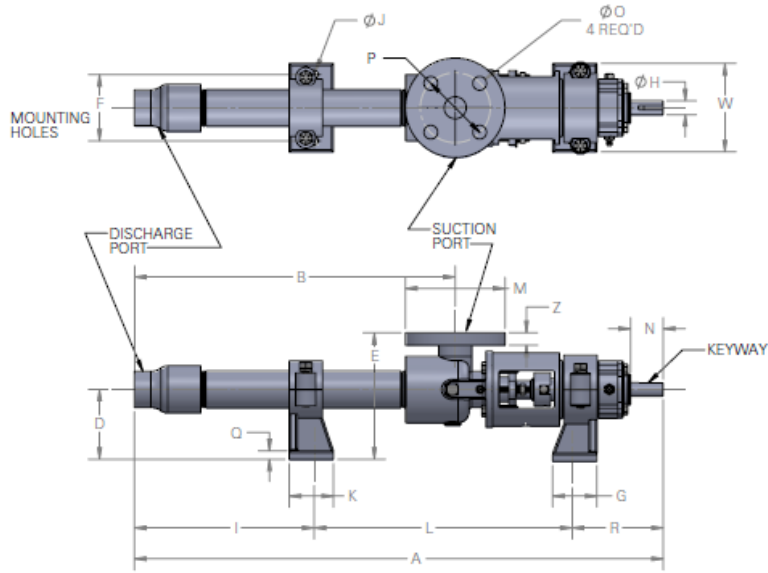




Dimensions & Weights

CM Model



PUMP	DIMENSIONS (INCHES)																				WEIGHT (LBS.)	PORT SIZE		
	A	B	C	D	E	F	G	H	I	J	K	L	M	N	O	P	Q	R	W	Z		KEYWAY	SUCTION	DISCHARGE
2CM1	17-1/2	7-13/16	-	3-1/4	5-7/8	3-1/8	2	5/8	4-1/2	3/8	2	8-3/4	4-1/4	1-1/2	5/8	3-1/8	3/8	4-1/4	4	9/16	3/16 X 7/8	22	1"	3/4"
6CM1	24-7/8	15-1/4	-	3-1/4	5-7/8	3-1/8	2	5/8	4-7/8	3/8	2	15-3/4	4-1/4	1-1/2	5/8	3-1/8	3/8	4-1/4	4	9/16	3/16 X 7/8	30	1"	3/4"
6CM2	39-1/8	26-3/8	14	4-1/8	7-5/16	4-1/4	3	3/4	7-15/16	7/16	3	11-1/2	5	2-1/8	5/8	3-7/8	1/2	5-11/16	5-3/8	9/16	3/16 X 1-1/2	55	1-1/2"	3/4"
6CM3	55	38	22	5-1/2	9-7/8	5-1/2	3-1/2	15/16	9-7/8	9/16	3	15-1/2	7	3-1/8	3/4	5-1/2	5/8	7	7	11/16	1/4 X 2	105	2-1/2"	2"
6CM4	70-7/8	49-3/4	25	6-1/4	11-1/4	7	4	1-1/8	17-7/16	11/16	4	20	7-1/2	4-3/8	3/4	6	11/16	8-9/16	8-5/8	7/8	1/4 X 2	171	3"	2-1/2"

Dimensions are for reference only. Do not use above dimensions for limited space installations, request certified drawing.

Ø = diameter

Continental Pump Company

29425 State Hwy B | Warrenton, Missouri 63383 | Tel: 636-456-6006 | Fax: 636-456-4337 | Email: sales@con-pump.com

www.continentalultrapumps.com