

## General Description

These 2-way aluminum body valves meet the safety standards for commercial industrial and institutional kitchens set by the National Fire protection Association.

Paragraph 1023 in booklet NFPA #96 - "Ventilation of Cooking Equipment" states, "The operation of an extinguishing system shall automatically shut off all sources of fuel and heat to gas pilots. A manual operation shall be required to reestablish the fuel supply or heat supply."

## Fluid

Fuel Gas

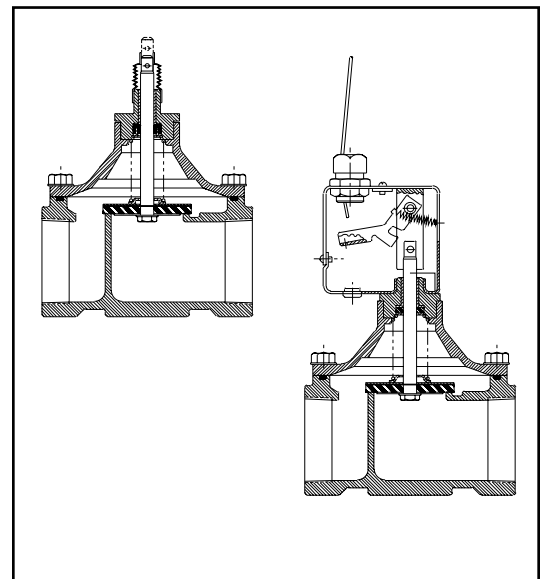
## Construction

Valve Parts in Contact with Fluids	
Body	Aluminum
Seals and Disc	NBR
Core Tube	305 Stainless Steel
Core and Plugnut	430F Stainless Steel
Springs	302 Stainless Steel

## Types of Operation

Series HV216-585 closes to shut off gas flow when the cable holding it in the open position is released. Catalog No. HV216-585 replaces HV160-265.

Series JV216-587 closes to shut off gas flow when the cable is pulled. Catalog No. JV216-587 replaces JV182-648



## Approvals

UL Component listed, File No. MH-8849, Guide No. YRPV2; UL of Canada, File MH27283, Guide No. 167E49.

**Specifications (English units)**

Pipe Size (ins.)	Orifice Size (ins.)	Cv Flow Factor	Fluid & Ambient Temp. °F		Operating Pressure Differential (psi)		Catalog Numbers Cable Operation		Agency UL
			Min	Max.	Min	Max.	Release to Close	Pull to Close	
<b>COMBUSTION (Fuel Gas) - Normally Closed</b>									
1/2	3/4	5.2	32	132	0	5	HV216-585-8	JV216-587-1	○
3/4	3/4	6.5	32	132	0	5	HV216-585-1	JV216-587-2	○
1	1 5/8	23	32	132	0	5	HV216-585-2	JV216-587-3	○
1 1/4	1 5/8	34	32	132	0	5	HV216-585-3	JV216-587-4	○
1 1/2	1 5/8	38	32	132	0	5	HV216-585-4	JV216-587-5	○
2	2 3/32	54	32	132	0	5	HV216-585-5	JV216-587-6	○
2 1/2	3	110	32	132	0	5	HV216-585-6	JV216-587-7	○
3	3	138	32	132	0	5	HV216-585-7	JV216-587-8	○

○ = Safety Shutoff Valve. Safe working pressure 50 psi.

**Specifications (Metric units)**

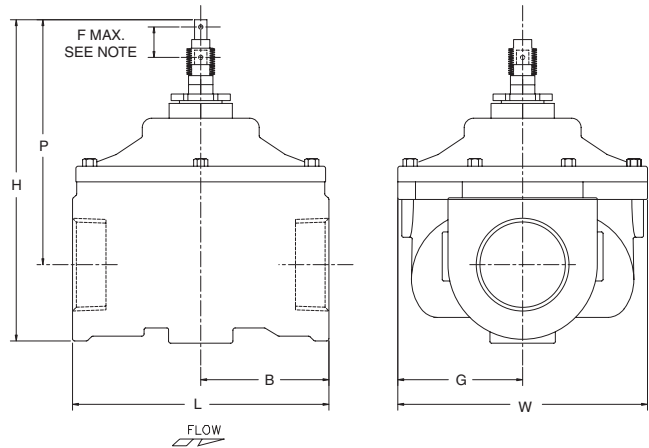
Pipe Size (ins.)	Orifice Size (mm)	Kv Flow (m³/hr)	Fluid & Ambient Temp. °C		Operating Pressure Differential (bar)		Catalog Numbers Cable Operation		Agency UL
			Min	Max.	Min	Max.	Release to Close	Pull to Close	
<b>COMBUSTION (Fuel Gas) - Normally Closed</b>									
1/2	19	4.5	0	56	0	0.3	HV216-585-8	JV216-587-1	○
3/4	19	5.6	0	56	0	0.3	HV216-585-1	JV216-587-2	○
1	41	21	0	56	0	0.3	HV216-585-2	JV216-587-3	○
1 1/4	41	29	0	56	0	0.3	HV216-585-3	JV216-587-4	○
1 1/2	41	33	0	56	0	0.3	HV216-585-4	JV216-587-5	○
2	53	46	0	56	0	0.3	HV216-585-5	JV216-587-6	○
2 1/2	76	96	0	56	0	0.3	HV216-585-6	JV216-587-7	○
3	76	119	0	56	0	0.3	HV216-585-7	JV216-587-8	○

○ = Safety Shutoff Valve. Safe working pressure 3.4 bar.

### Dimensions inches (mm)

Catalog No.		B	F	G	H	L	P	W
HV216-585-8	ins.	1.37	0.19	1.14	4.37	2.75	3.81	2.45
	mm	35	5	29	111	70	97	62
HV216-585-1	ins.	1.66	0.19	1.14	4.81	3.31	4	2.45
	mm	42	5	29	122	84	102	62
HV216-585-2	ins.	2.37	0.53	2.69	7.16	5	5.84	5.38
	mm	60	13	68	182	127	148	137
HV216-585-3	ins.	2.37	0.53	2.69	7.16	5	5.84	5.38
	mm	60	13	68	182	127	148	137
HV216-585-4	ins.	2.37	0.53	2.69	7.16	5	5.8	5.38
	mm	60	13	68	182	127	147	137
HV216-585-5	ins.	2.81	0.61	3.16	7.75	6.1	6.25	6.31
	mm	71	15	80	197	155	159	160
HV216-585-6	ins.	3.9	0.9	4.12	9.95	7.8	7.62	7.95
	mm	99	23	105	253	198	194	202
HV216-585-7	ins.	3.89	0.9	4.12	9.95	7.78	7.62	7.95
	mm	99	23	105	253	198	194	202

**Note:** Max. is the full open position. Do not exceed as distortion of internal parts may result.



Catalog No.		B	G	H	L	P	W
JV216-587-1	ins.	1.37	1.14	6.56	2.75	6	2.36
	mm	35	29	167	70	152	60
JV216-587-2	ins.	1.66	1.16	7	3.31	6.19	2.34
	mm	42	29	178	84	157	59
JV216-587-3	ins.	2.38	2.69	8.81	5	7.5	5.38
	mm	60	68	224	127	191	137
JV216-587-4	ins.	2.38	2.69	8.81	5	7.5	5.38
	mm	60	68	224	127	191	137
JV216-587-5	ins.	2.38	2.69	8.81	5	7.56	5.38
	mm	60	68	224	127	192	137
JV216-587-6	ins.	2.81	3.16	9.53	6.1	8.03	6.31
	mm	72	80	242	155	204	160
JV216-587-7	ins.	3.9	4.13	11.4	7.8	9.06	7.9
	mm	99	105	290	198	230	201
JV216-587-8	ins.	3.9	4.13	11.4	7.8	9.06	7.9
	mm	99	105	290	198	230	201

